

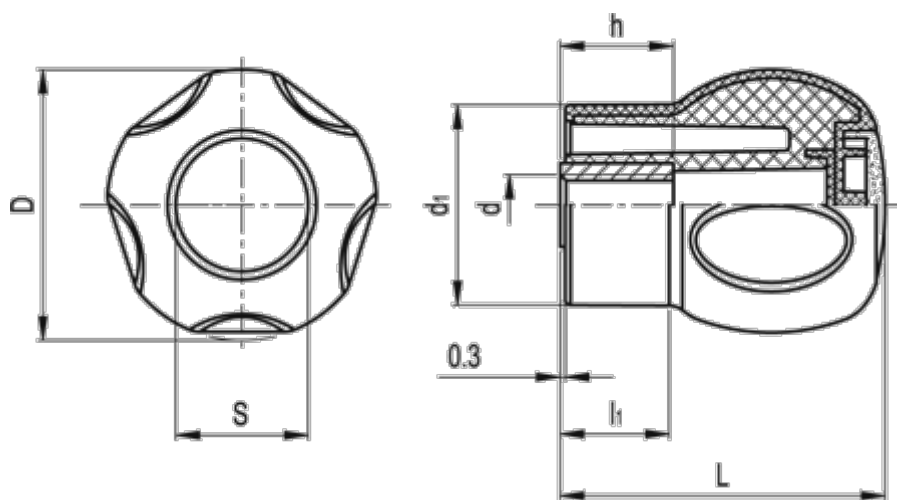
# Data Sheet



Article number: 2305245106

Description: E+G Håndgreb  
EBK.43-B-M10-H-SOFT

## Measures



D	= 43
d1	= 32.5
d 6H	= M10
h	= 10
L	= 53.5
l1	= 17.5
Weight (g)	= 71